

## QUARTER-TURN ELECTRIC ACTUATOR TYPE OA

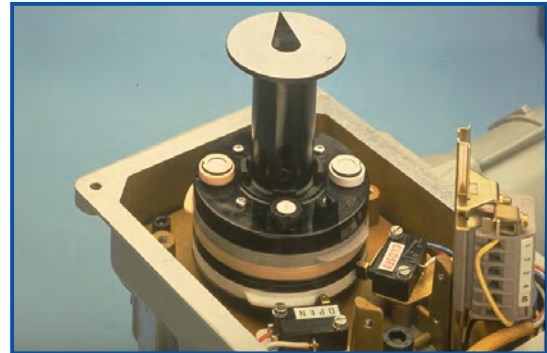
### DESCRIPTION:

Type OA Quarter-turn actuators offer a very compact waterproof body with the same sturdy features of larger industrial actuators:

largely dimensioned worm and quadrant output gear (naturally selflocking), ease of adjustment, precise and vibration proof end of travel system, heavy duty motors with internal thermal protection, emergency manual handwheel, easy to read position indicator, ISO flange and removable socket permits direct or indirect mounting on any type of quarter-turn valve.

### SPECIFICATIONS:

Quarter-turn, watertight body to NEMA 4, 4X & 6, proportional position indicator, self locking gear, S4-30% duty rating motor, class F insulated, 2 end of travel switches adjustable over the entire travel, anti-condensation heater, 2 adjustable mechanical stops, thermal protection, emergency handwheel mounted on the final reduction stage, 2 conduit entries, combined with F05/F07 ISO flange.



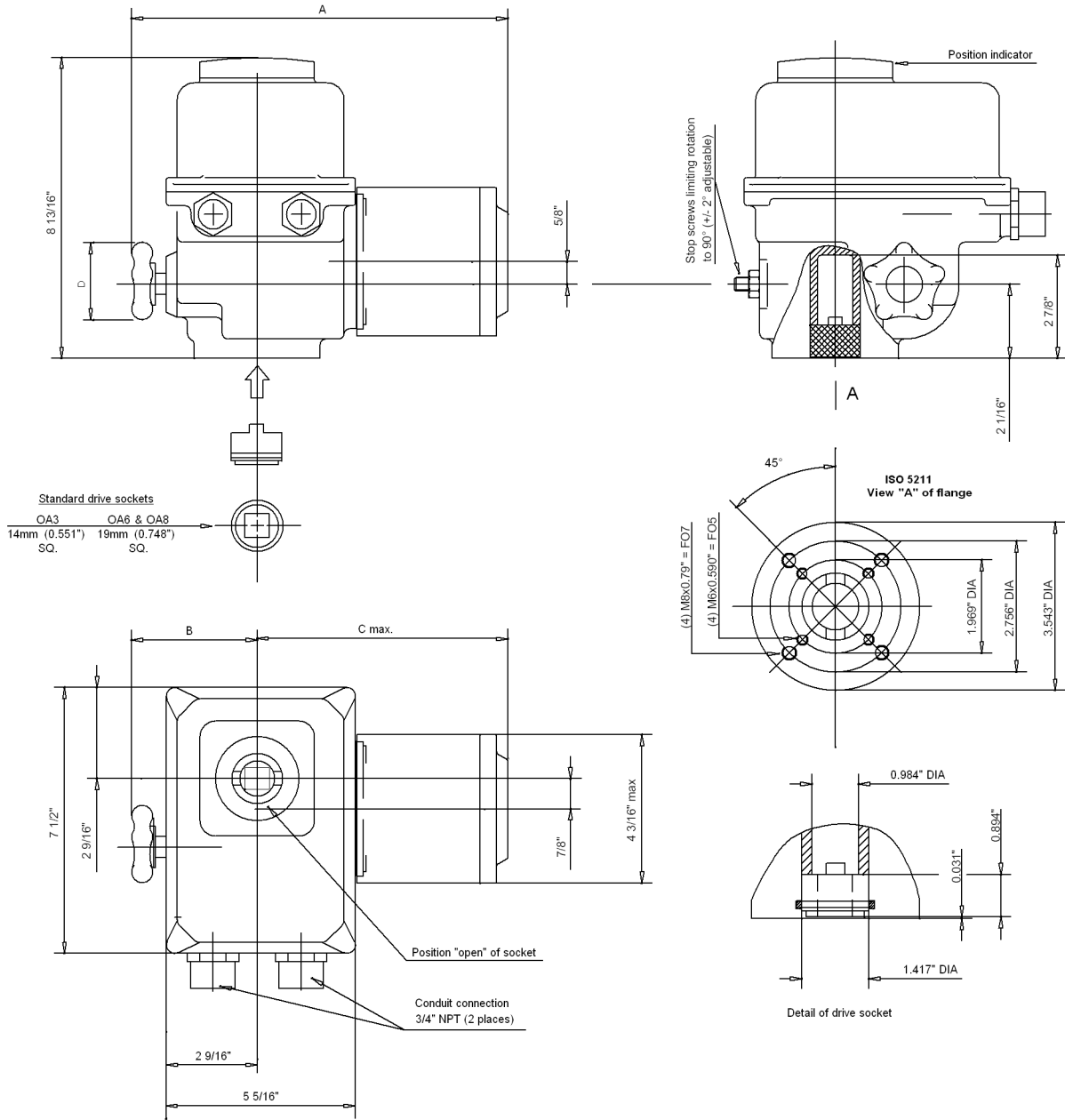
### TECHNICAL DATA

Type	Torque in-lbs	Operating time s/90°	Flange ISO
OA3	310	5	F05 / 07
OA6	540	5	F05 / 07
OA8	885	5 - 25 - 50	F05 / 07
OA15	1350	15 - 25	F07

### OPTIONS:

- 2 auxillary limit switches (free contacts)
- Position sensor by potentiometer 1000 Ω
- Position transmitter 4-20 mA, type TAM
- INTEGRAL+ local control
- MiniGRAL+ remote control
- MiniGAM+ or PosiGAM+ modulating control

## DIMENSIONAL DRAWING:



Type	A	B	C	ØD	Weight lbs
OA3	9.88"	3.54"	6.31"	Ø2.36"	12
OA6	11.5"	3.54"	7.88"	Ø2.36"	13
OA8	11.5"	3.54"	7.88"	Ø2.36"	15
OAP	13.75"	3.54"	10.24"	Ø2.36"	16
OA15	14.63"	4.38"	10.24"	Ø3.94"	17

Note: The OA15 drive socket has 4 engagement claws.

### L. BERNARD CONTROLS Inc.

15740 Park Row, Suite 100 - Houston, Texas 77084

Phone: 1-281-578-6666 - Fax: 1-281-578-2797 - E-mail: bsales@bernardcontrols.com