

The Breakthrough

The Ashcroft® Xmitr™ combines our trusted pressure gauge with patented transducer technology for a product of exceptional value and functionality.

In applications where both a gauge and transducer are currently being used the Xmitr™ provides the user with money, space and time savings. It eliminates one instrument and the associated piping, fitting, installation and maintenance costs. In addition, there are fewer leak paths and less dead-leg in your process.

For applications where a transducer only is used the Xmitr™ is a cost effective alternative to traditional products and provides

analog local indication for startup, emergencies and maintenance situations.

Gauge-only applications are enhanced with a value added transmitter for control systems.

Features

- Voltage and 4-20mA outputs
- 1% BFSL includes non-linearity, hysteresis, and non-repeatability
- Meets CE heavy industrial.
- Ranges: vacuum to 5,000 psi
- Temperature performance of 1.4% per 100°F error typical
- Vibration dampening FlutterGuard™ exclusive option



TRANSMITTER SPECIFICATIONS

Output (Supply):

4-20mA 2 wire (12 to 30 Vdc Supply)
1 to 5 Vdc 3 wire Regulated (10 to 24 Vdc Supply)
0.5 to 4.5 Vdc 3 wire Ratio-metric (5 Vdc ±5% Supply)

Ranges: Vacuum to 5,000 psi (see table 3)

Performance⁽¹⁾

±1% FSO from best fit straight line (includes non-linearity, hysteresis, and non-repeatability)

Temperature:

Storage: -40 to 221°F (-40 to 105°C)⁽⁵⁾
Operating: -40 to 221°F (-40 to 105°C)⁽⁵⁾
Compensated: -4 to 185°F (-20 to 85°C)
Thermal effect: 3%/100°C, 1.4% per 100°F typical (zero & full scale combined)

Noise Immunity:

10V/m (meets CE heavy industrial)

Enclosure:

Stainless steel case
Type 1005: IP54
Type 2001: IP43 (std), IP54 (XLJ)⁽²⁾

Media:

Liquid, gas or vapor

Wetted Materials:

Bronze/brass

Electrical Protection:

Reverse polarity 75 Vdc, Over-voltage 60 Vdc continuous, and short-circuit protection.⁽³⁾

Shock:

100g-force per IEC770.

Vibration:

5g's 50 to 2000Hz.

Humidity:

95% non-condensing

Proof Pressure:

0 to 200 psi = 150% of full scale

300 to 5,000 psi = 120%

Burst Pressure:

0 to 200 psi = 10x burst

300 to 5,000 psi = 3x

Response Time:

Less than 10 ms (electronics)

Wake-up Time:

1 ms

Insulation:

1 meg ohm at 200 Vdc

Electrical Connection:

2" shielded cable (Standard)

Mini-Hirschman series G

Process Connection:

Lower

Process Connection:

¼ NPT, ½ NPT, G ¼

GAUGE SPECIFICATIONS

Dial Size: Type 1005 – 2", Type 2001 2½", 3½"

Gauge Accuracy: 3/2/3% full-scale Grade B (1% electric output)

Window: Polycarbonate

Case: Stainless Steel

Gauge Movement:

Patented PowerFlex® movement

OPTIONS (Table 1)

Throttle plugs: (not provided with LJ)

(T5): .013" (standard on 1000 psi and above)

(T7): .020"

(T4): .007" (for clean gas)

IP54 (LJ): For Type X2001 with FL electrical connection only. Not fillable. Type X2001 is standard with no O-ring as IP43.

(SF): FlutterGuard™ vibration dampening

ELECTRICAL CONNECTORS (Table 2)

Shielded Cable **CODE**
2" shielded cable..... FL

Mini-Hirschmann G Series

No Mating Connection HM

With Mate (with 1 meter cable) M2

With Mate (no cable) M1

PRESSURE RANGES⁽⁶⁾ (Table 3)

psi	kg/cm ² (4)	bar (4)	kPa (4)	mPa (4)
0/30	2	2	200	0.2
0/60	4	4	400	0.4
0/100	7	7	700	0.7
0/160	10	10	1,000	1
0/200	14	14	1,500	1.5
0/300	21	21	2,000	2
0/400	28	28	3,000	3
0/600	42	42	4,000	4
0/1000	70	70	7,000	7
0/2000	140	140	15,000	15
0/3000	210	210	20,000	20
0/5000	350	350	35,000	35

COMPOUND RANGES⁽⁶⁾

30/0/1MV	-1, 0	-1, 0	-100, 0	-1, 0
30IMV&15	-1, 1	-1, 1	-100, 100	-1, .1
30IMV&30	-1, 2	-1, 2	-100, 200	-1, .2
30IMV&60	-1, 4	-1, 4	-100, 400	-1, .4
30IMV&100	-1, 7	-1, 7	-100, 700	-1, .7
30IMV&150	-1, 10	-1, 10	-100, 1000	-1, 1.0
30IMV&200	-1, 13	-1, 13	-100, 1300	-1, 1.3
30IMV&300	-1, 20	-1, 20	-100, 2000	-1, 2.0
30IMV&400	-1, 27	-1, 27	-100, 2700	-1, 2.7
30IMV&600	-1, 39	-1, 39	-100, 3900	-1, 3.9

(1) 1% BFSL from 10% to 90% full scale, 1.5% from 0% to 10% and 90% to 100% full scale (1% BFSL is typical for 4-20mA output)

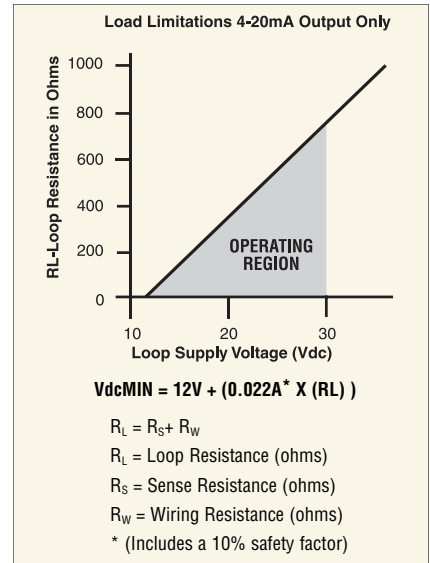
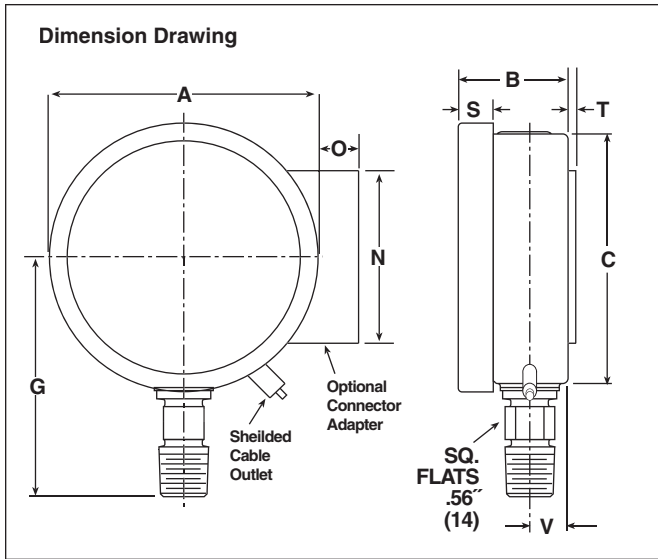
(2) Type X2001 with "FL" electrical connection only. Other IP ratings upon application. (Not Liquid Fillable)

(3) For ratio-metric output, reverse polarity 20 Vdc and over-voltage of 25 Vdc continuous.

(4) 10 piece minimum per line item.

(5) Cable rated to 105°C. Other connectors to 90°C.

(6) Vacuum, compound and ranges above 600psig contact factory for availability.



Dial Size Inches (mm)	A	B	C	G	N	O	S	T	V
2.0"	2.09 (53)	1.20 (30)	2.05 (52)	1.85 (47)	1.12 (28)	0.21 (5)	0.12 (3)	-	0
2.5"	2.88 (73)	1.13 (29)	2.64 (67)	2.24 (57)	1.12 (28)	0.25 (6)	0.35 (9)	0.11 (3)	0
3.5"	3.97 (101)	1.28 (33)	3.59 (91)	2.67 (68)	1.12 (28)	0.28 (7)	0.46 (12)	0.11 (3)	0

Output	Code	Wiring
4-20 mA	4	Red = Supply + Black = Supply -
1-5 Vdc	1	Red = Supply + Black = Supply - (Signal Ref.)
.5-4.5 Vdc Ratiometric	R	White = Signal

Dial Size	Code	Type
2"	20	1005
2.5"	25	2001
3.5"	35	2001

Ashcroft Inc.
250 East Main Street
Stratford, CT 06614 USA
Tel: 203-378-8281
Fax: 203-385-0408
email: info@ashcroft.com
www.ashcroft.com

HOW TO ORDER

1. Dial Size 2" 20
2. Patented Xmitr Transmitter Gauge X
3. Case Number: 1005 (Table 5) 1005
4. Socket Material: Brass HD
5. Connection Size/Location: ¼ NPT Lower O2L
6. Output: 4-20mA output (Table 4) 4
7. Connector: 2' Shielded Cable (Table 2) FL
8. Select Option(s): IP54 (Table 1) X(LJ)
9. Range: 100 psi (Table 3) 100 psi